



The BPW drawbar supports in use

The brands of the BPW Group:



we think transport 

BPW drawbar supports

THE ROBUST SUPPORT.



BPW drawbar supports 19642401 e divve GmbH

BPW Bergische Achsen Kommanditgesellschaft

Postbox 1280 · 51656 Wiehl, Germany · Phone +49 (0) 2262 78-0

info@bpw.de · www.bpw.de

THE ROBUST AND CONVENIENT SOLUTION FOR CENTRE AXLE DRAWBAR TRAILERS.

Thanks to a reinforced shaft to absorb lateral forces and a continuous fastening plate for optimum strength, BPW drawbar supports for centre axle drawbar trailers are the ideal choice for demanding applications in drawbar trailers.

And this all comes with built-in safety, as all BPW drawbar supports are tested before delivery.



Long, continuously perforated fastening plate for easy and flexible installation.



Low crank forces facilitate work.

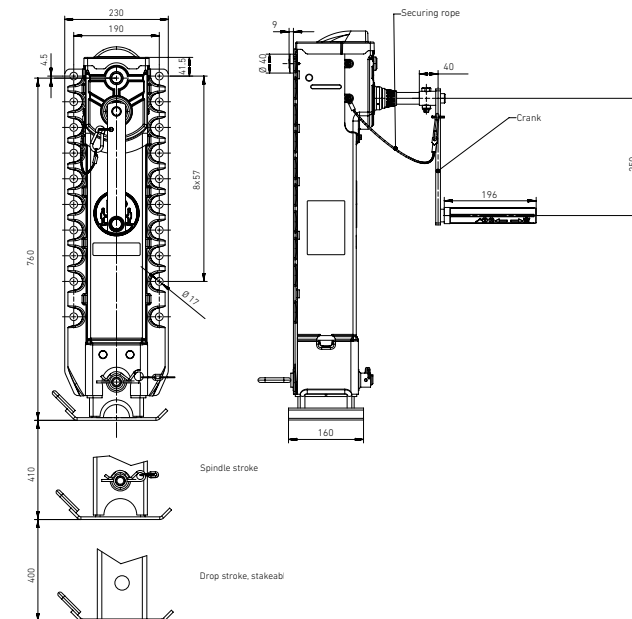
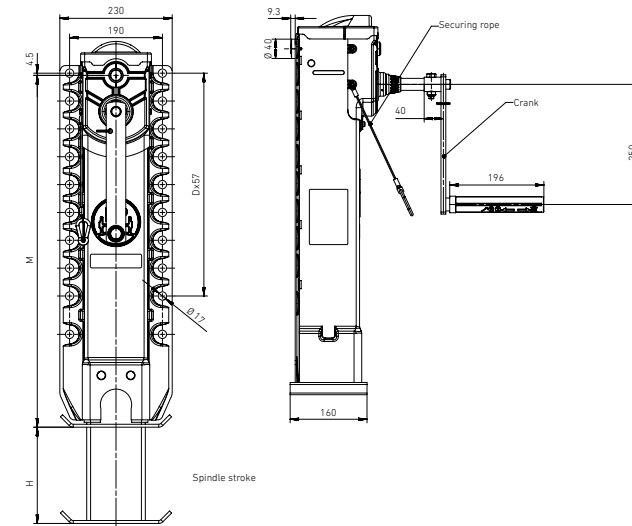


Particularly light and therefore economical.



Requires no maintenance for three years due to longlife lubrication with BPW ECO-Li 91.

OVERVIEW DRAWING



STANDARD PORTFOLIO

TECHNICAL DATA	WITH DROP-DOWN HEIGHT	
Lifting capacity	12 t	10 t
Static load	25 t	15 t
Travel per crank rotation		
Slow gear	0,8 mm	0,8 mm
Fast gear	9,6 mm	9,6 mm
Crank force with 16 t load	200 N	200 N

VERSIONS – DRAWBAR SUPPORTS

Length M	Dimension H	Quantity D	BPW item number
720	455	8	02.3711.00.02
670	405	8	02.3711.01.02
620	355	7	02.3711.02.02
570	305	6	02.3711.03.02

VERSIONS – DRAWBAR SUPPORTS WITH DROP-DOWN HEIGHT

Length M	Dimension H1 Spindle height	Dimension H2 Fallhub Drop-down height	Quantity D	BPW item number
760	410	400	8	02.3711.11.02

ACCESSORIES

	BPW item number
Crank length: 250 mm	02.1404.01.01
Safety wire	02.0130.90.20